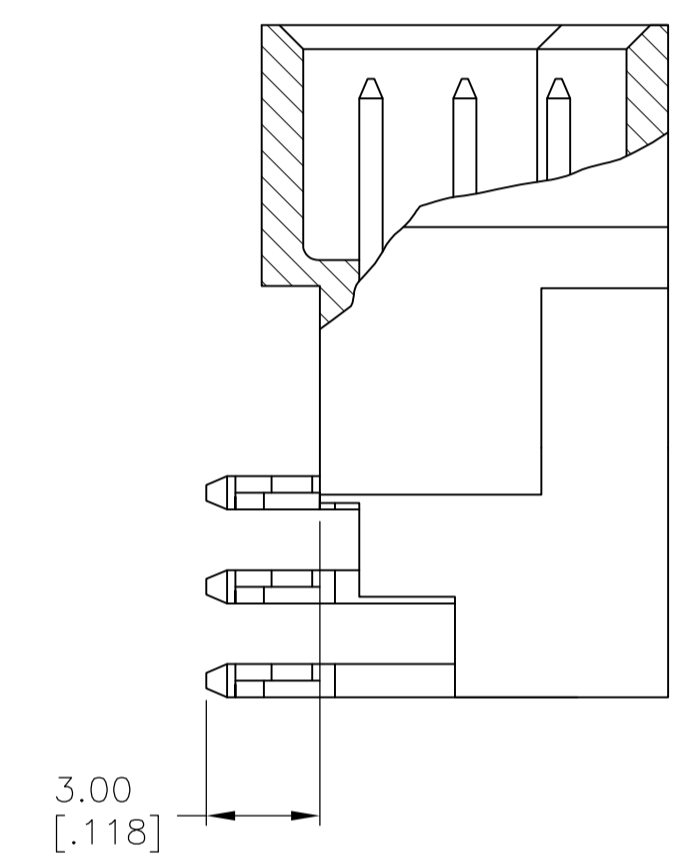
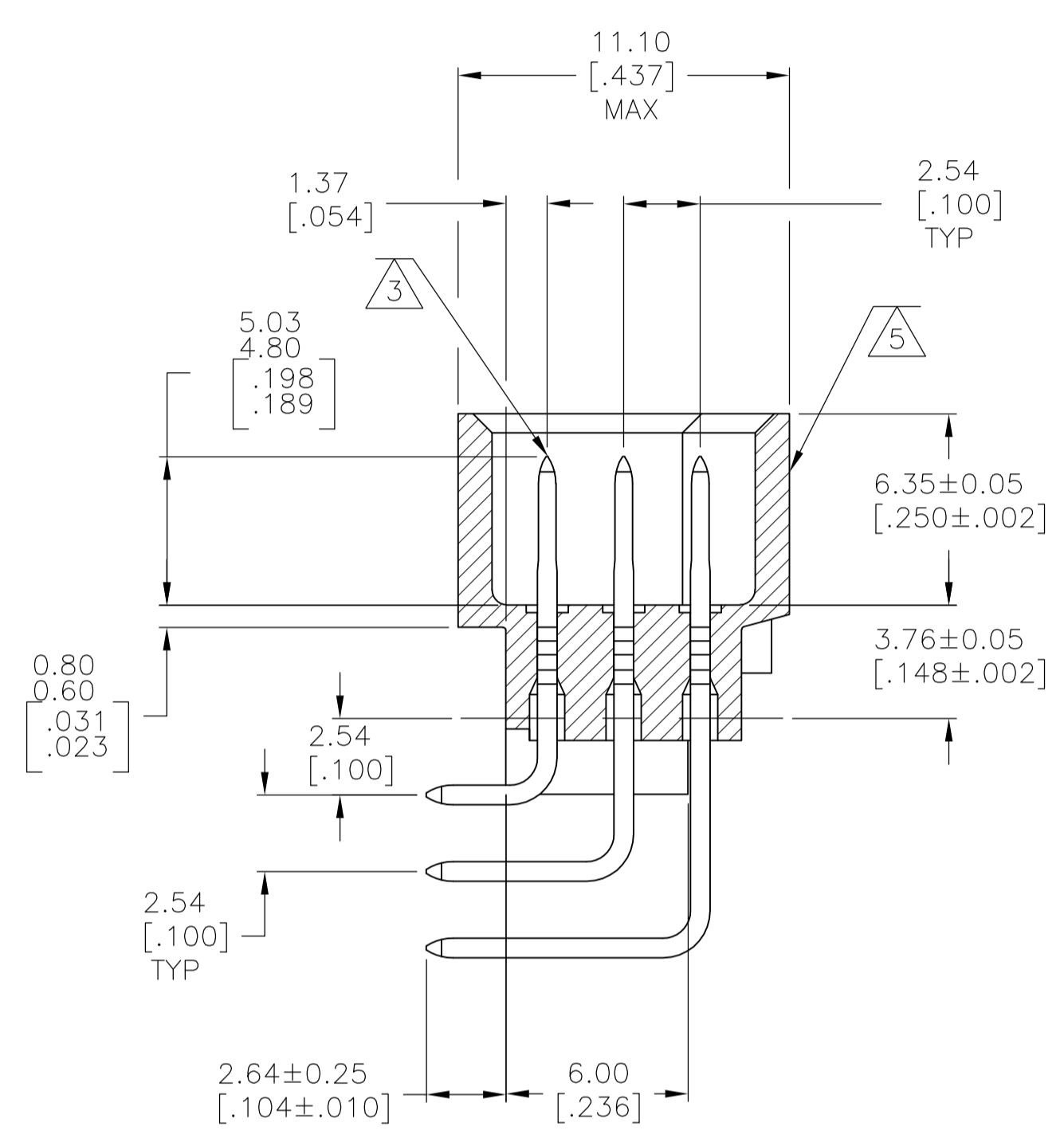
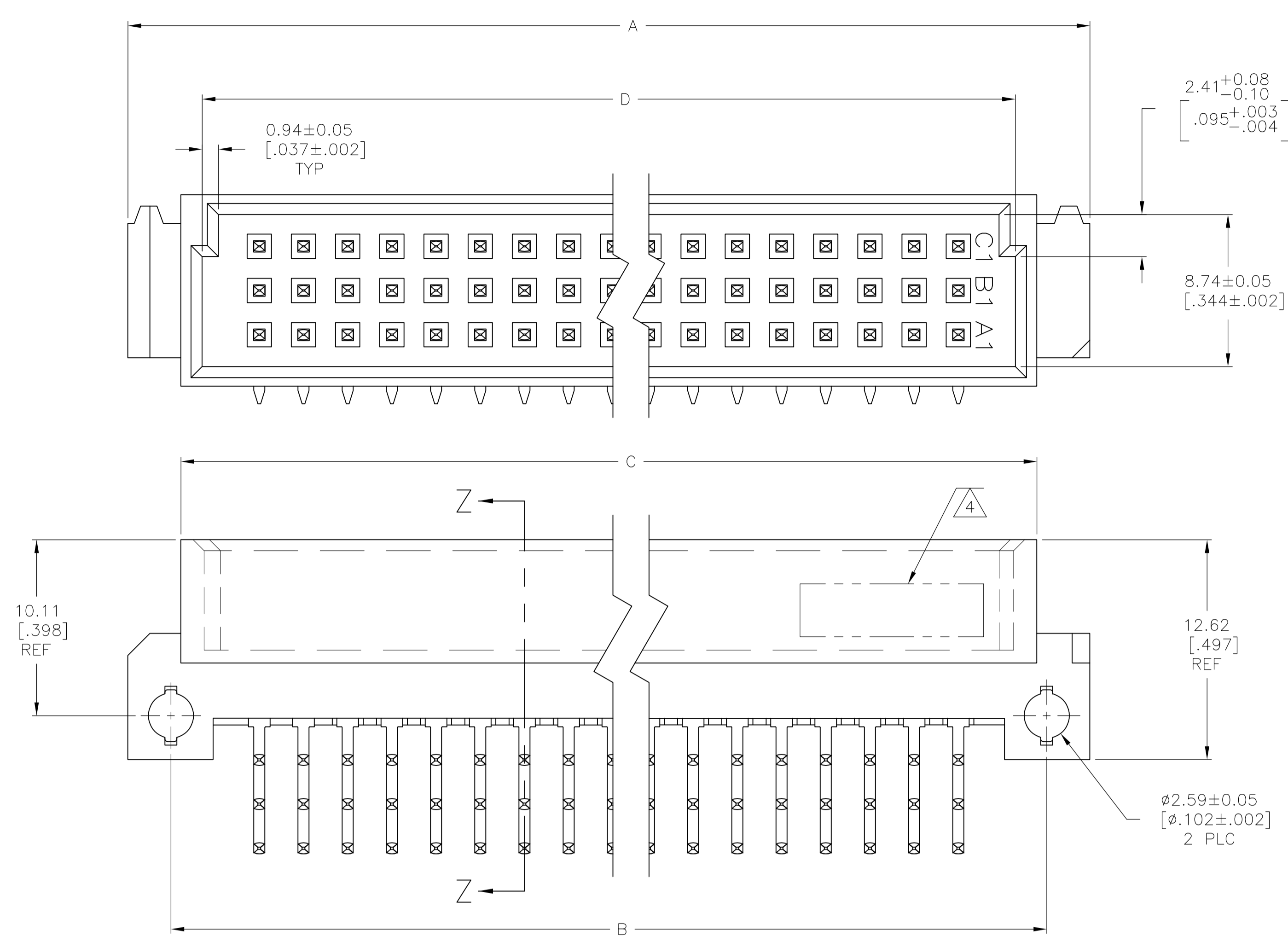


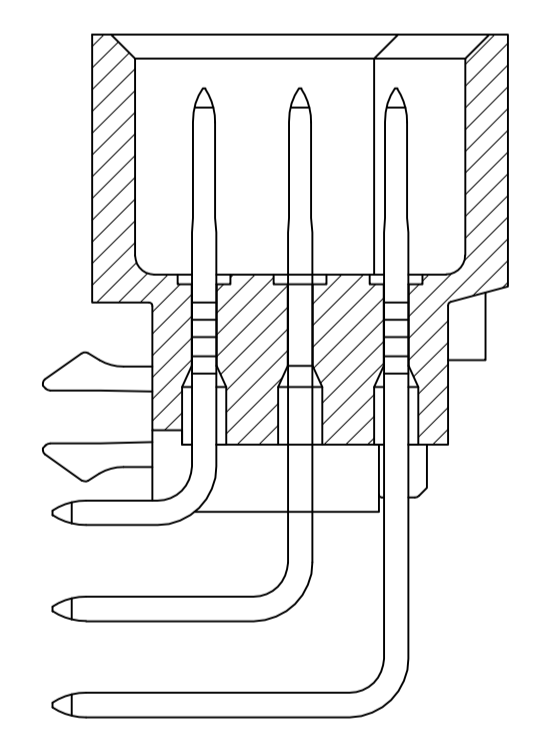
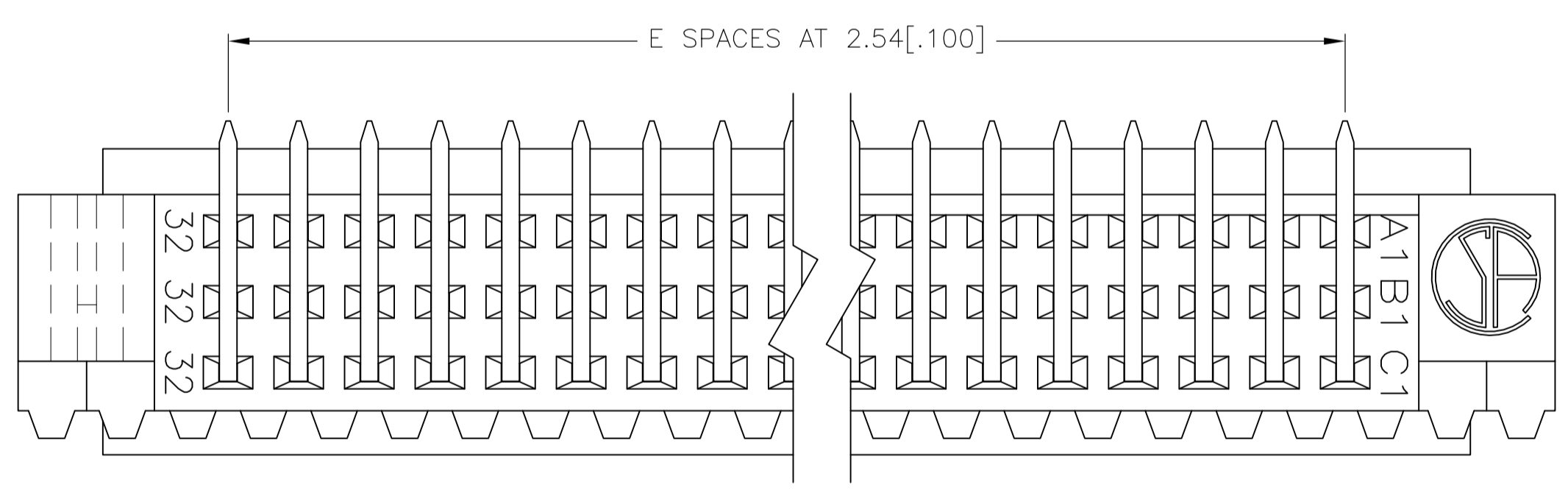
| REV ISIONS | |
|------------|---------------------------|
| REV | DESCRIPTION |
| S | REVISED PER ECO-14-009163 |

- 1 HOUSING MATERIAL: GLASS-FILLED POLYMER.
- 2 POST MATERIAL: COPPER ALLOY.
- 3 NICKEL UNDERPLATE 1.27UM [.000050] ON ALL CONTACTS.
- 4 PART NUMBER, DATE CODE MARKED THIS APPROXIMATE AREA.
- 5 MARKING ON THIS SIDE.
- 6 RECOMMENDED HOLE SIZE FOR MANUAL APPLICATION OF SOLDER CONNECTORS INTO PC BOARD. REFERENCE APPLICATION SPEC 114-9014 FOR RECOMMENDED PLATED THROUGH HOLE SIZE FOR PRESS-FIT APPLICATIONS

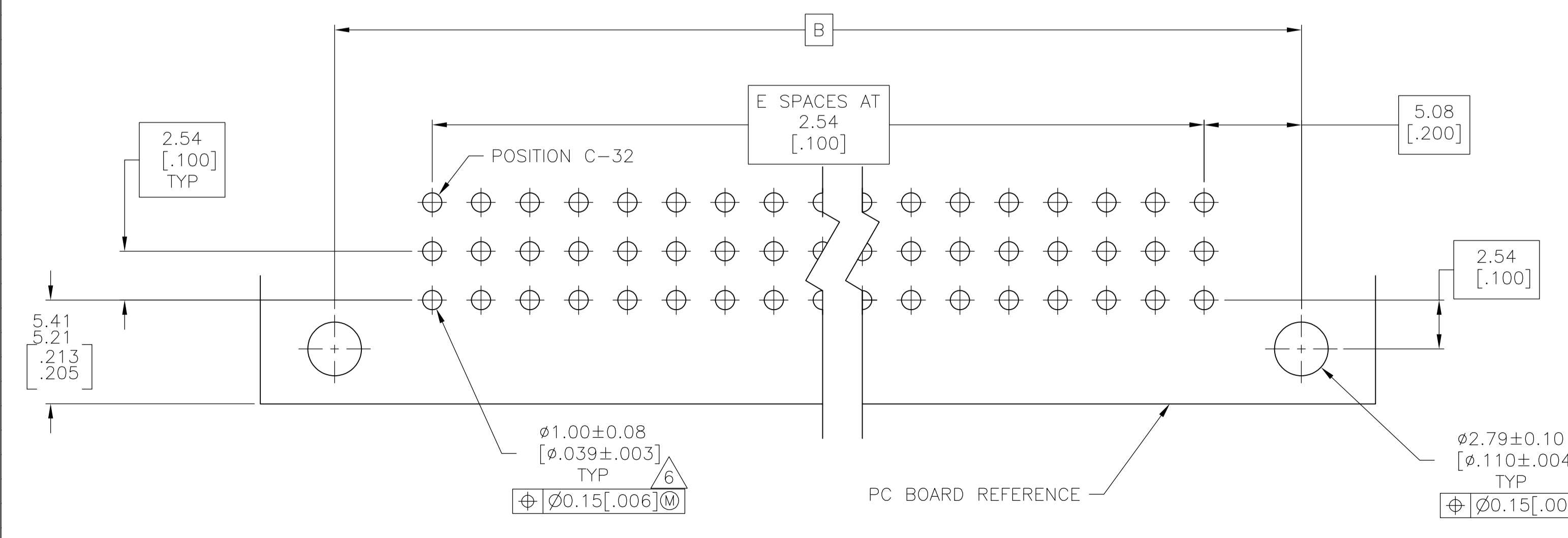


SECTION Z-Z

PRESS-FIT



BOARD LOCK



| | | | | | | | | | | | | | | |
|----|--------|--------|--------|-------|-------|-----|-----|----------|----------|----------|--|----------|-----------|-----------|
| 49 | 131.01 | 133.48 | 134.62 | 139.7 | A-B-C | 150 | 150 | | | | | 650907-5 | 5650915-5 | 5650907-5 |
| 39 | 105.61 | 108.08 | 109.22 | 114.3 | A-B-C | 120 | 120 | | | | | 650906-5 | 5650914-5 | 5650906-5 |
| 31 | 85.29 | 87.76 | 88.9 | 94.0 | A-C | 64 | 96 | 216432-4 | 216432-1 | | | 650945-3 | 536356-5 | 650945-5 |
| 31 | 85.29 | 87.76 | 88.9 | 94.0 | A-B-C | 96 | | 215605-4 | 215605-1 | 650473-8 | | 650473-3 | 650913-5 | 650473-5 |
| 15 | 44.65 | 47.12 | 48.26 | 53.34 | A-C | 32 | 48 | 106276-4 | | | | 650946-3 | 650978-5 | 650946-5 |
| 15 | 44.65 | 47.12 | 48.26 | 53.34 | A-B-C | 48 | | 216398-4 | 216398-1 | | | 650478-3 | 148020-5 | 650478-5 |
| | | | | | | | | | | | | 650478-3 | 650478-5 | 5148020-5 |
| | | | | | | | | | | | | 650478-3 | 650478-5 | 5148020-5 |
| | | | | | | | | | | | | 650478-3 | 650478-5 | 5148020-5 |
| | | | | | | | | | | | | 650478-3 | 650478-5 | 5148020-5 |

| | | | | | | | | | | | | | | | | | |
|---|---|---|---|---|-------------|-------------------------|--------------|--------------------|----------------|--------------------|----------------|--------------------|--------------------|--------------------|--------------------|--------------------|--------------------|
| E | D | C | B | A | ROWS LOADED | NO. OF LOADED POSITIONS | HOUSING SIZE | ROHS Compliant | ROHS Compliant | Non ROHS Compliant | ROHS Compliant | ROHS Compliant | ROHS Compliant | ROHS Compliant | ROHS Compliant | ROHS Compliant | ROHS Compliant |
| | | | | | | | | DIN 41612 Level II | 1.25um GOLD | DIN 41612 Level II | Gold Flash | DIN 41612 Level II | DIN 41612 Level II | DIN 41612 Level II | DIN 41612 Level II | DIN 41612 Level II | DIN 41612 Level II |
| | | | | | | | | No Boardlock | No Boardlock | No Boardlock | No Boardlock | With Boardlock | No Boardlock | With Boardlock | No Boardlock | No Boardlock | No Boardlock |

| | | | | | | | | | | | | | | | | | | | | | | | | | | | | | | | | | | | | | | | | | | | | | | | | | | | | | | | | | | | | | |
|----------------------------|--|------------|---------------|--|---|------------|--|--|-----|-------|--------|-----|---|--|--|-----|----------|---------|--|--|--|-----|---------------|---------|--|--|--|-------|---------------|---------|--|--|--|--------------|------|--|--|--|--|--|------------------|--|--|--|--|--|--|------|-----------|------------|---------------|--|--|--|----|-------|--------|--|--|--|--|
| DIMENSIONS: mm [INCHES] | | | | TOLERANCES UNLESS OTHERWISE SPECIFIED: | | | | | | | | | | | | | | | | | | | | | | | | | | | | | | | | | | | | | | | | | | | | | | | | | | | | | | | | | |
| 0 PLC | ± | - | | 0 PLC | ± | - | | | | | | | | | | | | | | | | | | | | | | | | | | | | | | | | | | | | | | | | | | | | | | | | | | | | | | | |
| 1 PLC | ± | - | | 1 PLC | ± | 0.13[.005] | | | | | | | | | | | | | | | | | | | | | | | | | | | | | | | | | | | | | | | | | | | | | | | | | | | | | | | |
| 2 PLC | ± | - | | 2 PLC | ± | - | | | | | | | | | | | | | | | | | | | | | | | | | | | | | | | | | | | | | | | | | | | | | | | | | | | | | | | |
| 3 PLC | ± | - | | 3 PLC | ± | - | | | | | | | | | | | | | | | | | | | | | | | | | | | | | | | | | | | | | | | | | | | | | | | | | | | | | | | |
| 4 PLC | ± | - | | 4 PLC | ± | - | | | | | | | | | | | | | | | | | | | | | | | | | | | | | | | | | | | | | | | | | | | | | | | | | | | | | | | |
| ANGLES | ± | - | | ANGLES | ± | - | | | | | | | | | | | | | | | | | | | | | | | | | | | | | | | | | | | | | | | | | | | | | | | | | | | | | | | |
| MATERIAL | FINISH | | | PART NUMBER | | | | | | | | | | | | | | | | | | | | | | | | | | | | | | | | | | | | | | | | | | | | | | | | | | | | | | | | | |
| | | | | | | | | <table border="1"> <tr><td>DIN</td><td>L BRINER</td><td>2/13/91</td><td colspan="3"></td></tr> <tr><td>CHK</td><td>D.C.RUBENDALL</td><td>2/13/91</td><td colspan="3"></td></tr> <tr><td>APP'D</td><td>D.C.RUBENDALL</td><td>2/13/91</td><td colspan="3"></td></tr> <tr><td>PRODUCT SPEC</td><td colspan="6">NAME</td></tr> <tr><td>APPLICATION SPEC</td><td colspan="6">ASSEMBLY, PIN EUROCARD, TYPE C, .104 SOLDER POST</td></tr> <tr><td>SIZE</td><td>CAGE CODE</td><td>DRAWING NO</td><td colspan="3">RESTRICTED TO</td><td></td></tr> <tr><td>A1</td><td>00779</td><td>650473</td><td colspan="3"></td><td></td></tr> </table> | | | | | | | | DIN | L BRINER | 2/13/91 | | | | CHK | D.C.RUBENDALL | 2/13/91 | | | | APP'D | D.C.RUBENDALL | 2/13/91 | | | | PRODUCT SPEC | NAME | | | | | | APPLICATION SPEC | ASSEMBLY, PIN EUROCARD, TYPE C, .104 SOLDER POST | | | | | | SIZE | CAGE CODE | DRAWING NO | RESTRICTED TO | | | | A1 | 00779 | 650473 | | | | |
| DIN | L BRINER | 2/13/91 | | | | | | | | | | | | | | | | | | | | | | | | | | | | | | | | | | | | | | | | | | | | | | | | | | | | | | | | | | | |
| CHK | D.C.RUBENDALL | 2/13/91 | | | | | | | | | | | | | | | | | | | | | | | | | | | | | | | | | | | | | | | | | | | | | | | | | | | | | | | | | | | |
| APP'D | D.C.RUBENDALL | 2/13/91 | | | | | | | | | | | | | | | | | | | | | | | | | | | | | | | | | | | | | | | | | | | | | | | | | | | | | | | | | | | |
| PRODUCT SPEC | NAME | | | | | | | | | | | | | | | | | | | | | | | | | | | | | | | | | | | | | | | | | | | | | | | | | | | | | | | | | | | | |
| APPLICATION SPEC | ASSEMBLY, PIN EUROCARD, TYPE C, .104 SOLDER POST | | | | | | | | | | | | | | | | | | | | | | | | | | | | | | | | | | | | | | | | | | | | | | | | | | | | | | | | | | | | |
| SIZE | CAGE CODE | DRAWING NO | RESTRICTED TO | | | | | | | | | | | | | | | | | | | | | | | | | | | | | | | | | | | | | | | | | | | | | | | | | | | | | | | | | | |
| A1 | 00779 | 650473 | | | | | | | | | | | | | | | | | | | | | | | | | | | | | | | | | | | | | | | | | | | | | | | | | | | | | | | | | | | |
| CUSTOMER DRAWING | | | | | | | | SCALE | 5:1 | SHEET | 1 of 1 | REV | S | | | | | | | | | | | | | | | | | | | | | | | | | | | | | | | | | | | | | | | | | | | | | | | | |

PC BOARD LAYOUT